



## CHEFMATE FULL TOUCH CMFE6

electric full touch combooven



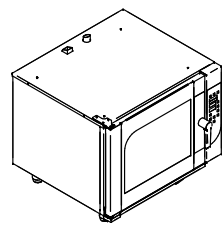
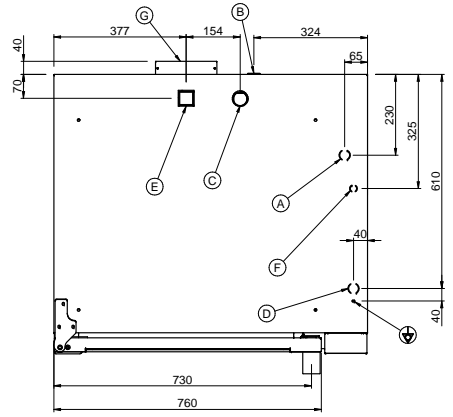
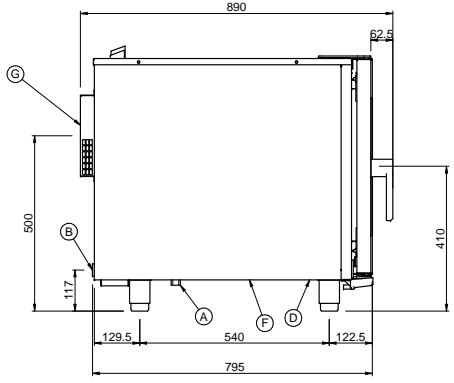
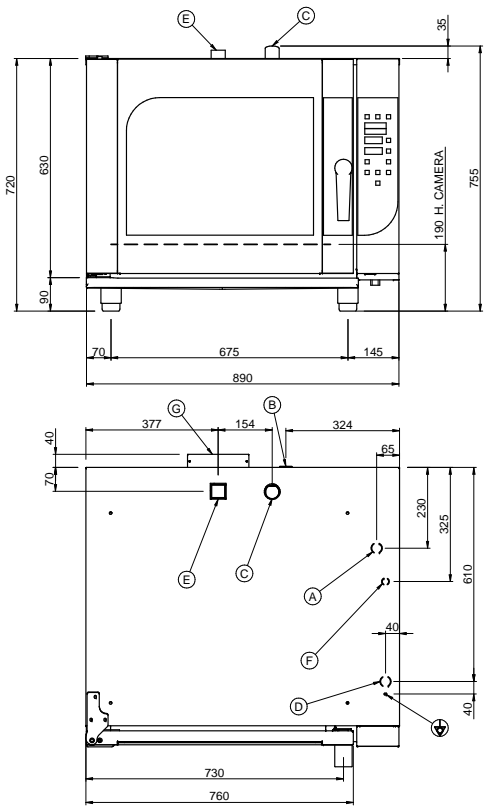
### TECHNICAL DATA:

Trays capacity	6
Trays type	GN 1/1 - 60x40cm
Steam injection	direct
Electric power (kW)	9,5
External dimensions - WxDxH (cm)	89x79,5x72

### ADDITIONAL TECHNICAL DATA:

Chamber dimensions - LxPxH (cm)	63x44x49
Pitch (mm)	70
Supply (N)	400V 3N 50Hz
Weight (kg)	120

From the continuing research of technologies that respond to the real need of the cooking professional, born the le Smart Innovation, a set of useful and innovative solutions to ensure the chef perfect cooking results and to make everyday operations simple, efficient and profitable. The ample functionalities and the intuitive new interface with full touch screen, make extremely fast the use and the programming of Chefmate Full Touch, offering to the chef different possibilities to make the everyday work more flexible and easier.



- A: INGRESSO ACQUA ADDOLCITA 3/4" G
- B: SCARICO ACQUA 1" G
- C: TUBO SFIATO (VAPORE) D 40mm
- D: INGRESSO CAVO DI ALIMENTAZIONE ELETTRICA
- E: TUBO ASPIRAZIONE ARIA
- F: INGRESSO TUBO DETERGENTE
- G: VENTOLA RAFFREDDAMENTO POSTERIORE

UPDATED			
REV.	MODIFICATION	DATE	MODIFIED BY

MATERIAL	-	Thk	-	Formal feedback	-	Dimensions are in mm		SURFACE TOLERANCES	3.2√	
FINISHED OR TREATMENT	-	Thk Treat. μ	-	Color	-	GENERAL TOLERANCES	VEDI I.C. 82	GENERAL GEOMETRIC TOLERANCES	ISO 2768	
USED FOR	CHEFMATE CME6	N.Wt.	0,000 kg	Scale	1/10	Date	16/05/14	Approved by		
		TITLE	SCHEMA INSTALLAZIONE		Raw Code	-	Deep Drawing Code	-	Drawn by	G. FANETTI
	BRESCELLO (RE) - ITALY		CHEFMATE CME6 - CMFE6 - CYE6		Imploded Code	-	Final Code	-	Dwg n°	SCHEMA INST CM6

La ditta si riserva, a termini di legge, la proprietà di questo disegno con divieto di riprodurlo o di renderlo pubblico a Terza senza la Sua autorizzazione.  
The Company reserves the right by law, the property of this drawing with no copy or to make it public to any third party without your permission.